



Compensator

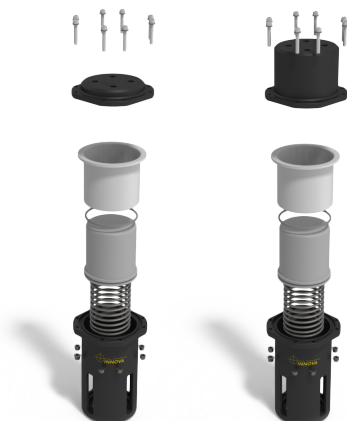
Fluid - 130 series

innova.no

Part number: 5018806 (1.4 L) & 5018805 (2.5 L)

The Innova compensators comes in two sizes: 1.4 L and 2.5 L. The units are connected to oil filled volumes for temperature and pressure compensation.

The compensator piston is spring-loaded to create a small over-pressure to the system.



Key features

- Spring loaded for overpressure
- Multiple interface ports
- Low weight

	1.4 L	2.5 L
Dimensions:	Ø142 mm, L284 mm	Ø142 mm, L369 mm
Weight:	3.3 kg	3.7 kg
Interface:	4 x G3/8	4 x G3/8
Overpressure:	0.25 – 0.45 bar	0.15 – 0.43 bar